
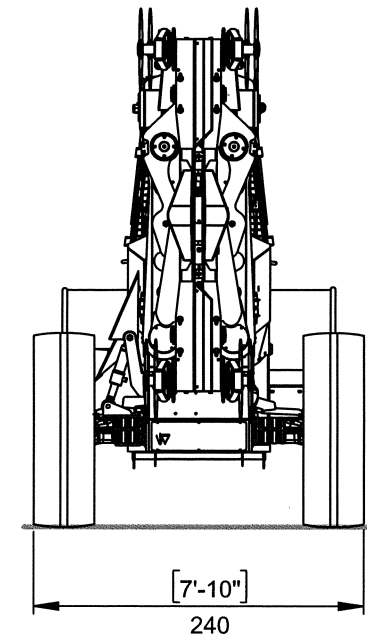
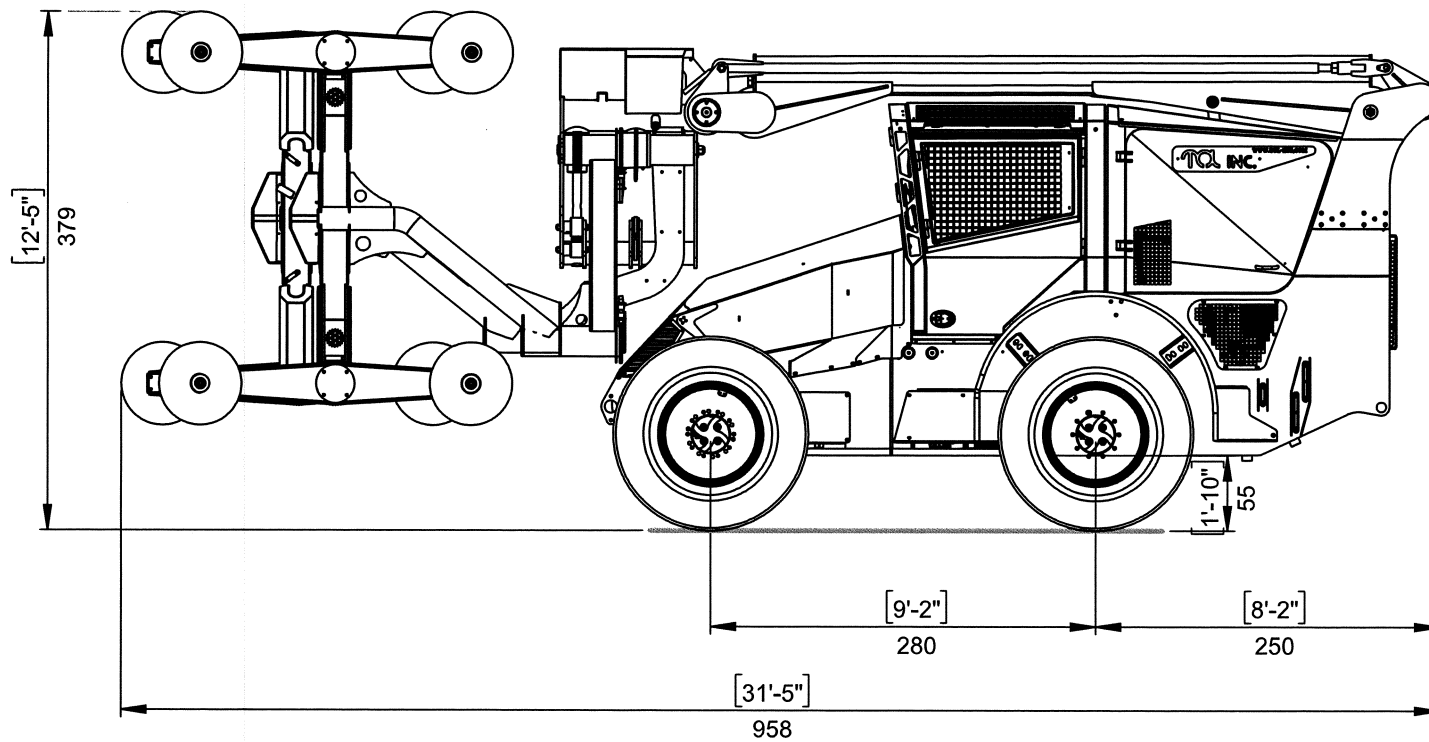


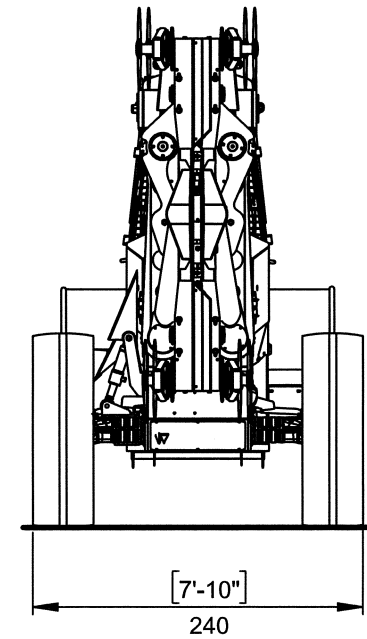
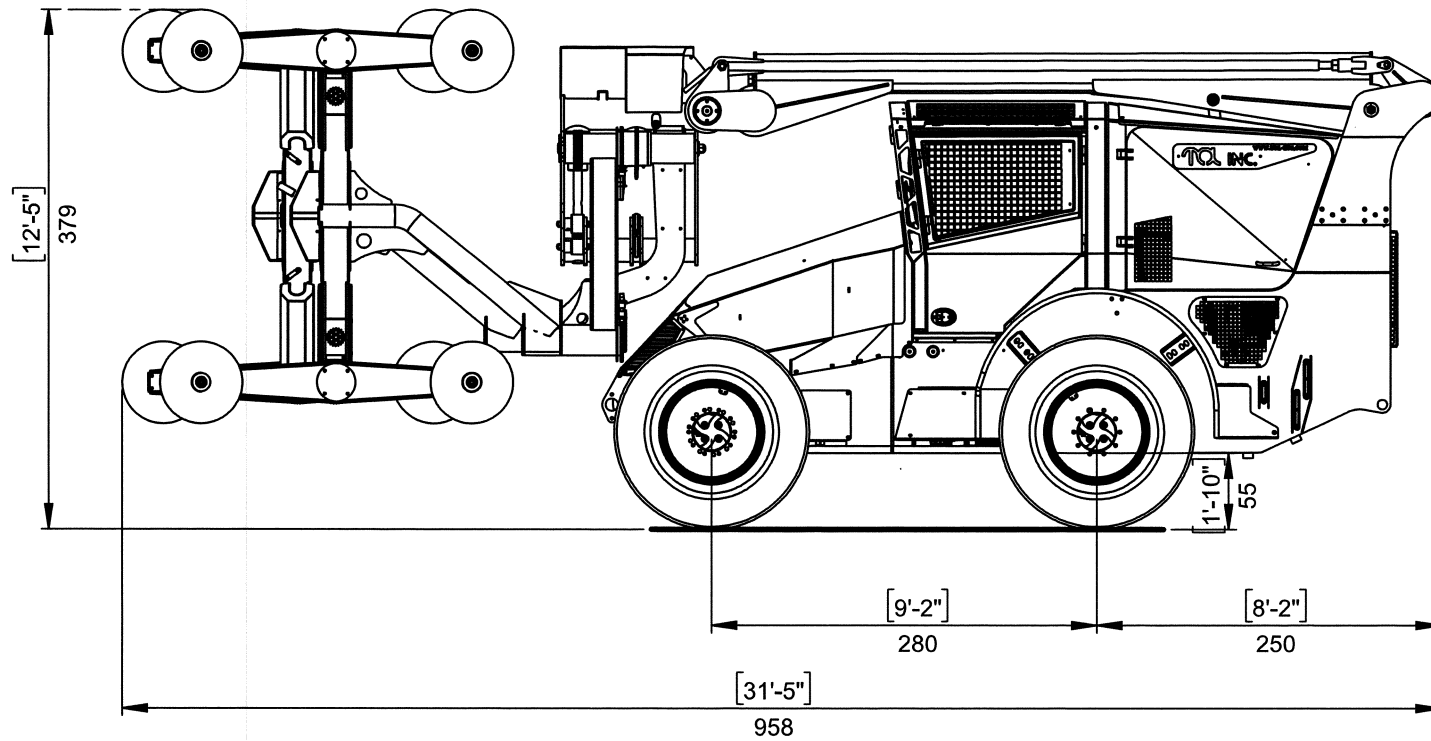
All proprietary rights reserved by TOL Incorporated. This drawing shall not be reproduced or in any way utilized, for the manufacture of the component or unit here in illustrated and must not be replaced to other parties without written consent by TOL Incorporated. Any infringement will be legally pursued.

Machine model:		HD 1800RM - T4	
Dimension drawing	Version:	11.2018.00	
	Scale:	1:40	
	Date:	Nov.2018	
	Sheet:	1 of 9	
All dimensions are rounded			
Remarks:		All dimensions are in dual properties: feet-inches & centimeters	
			



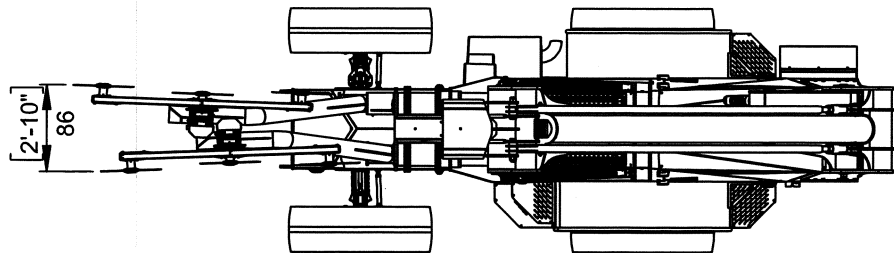
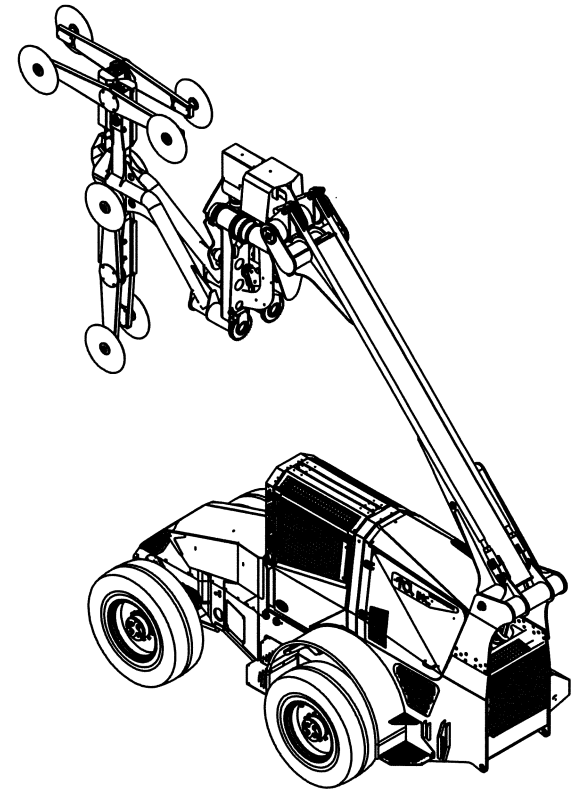
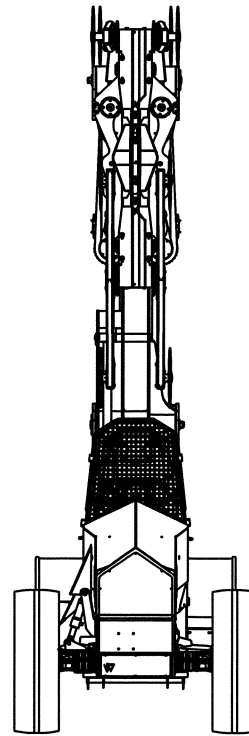
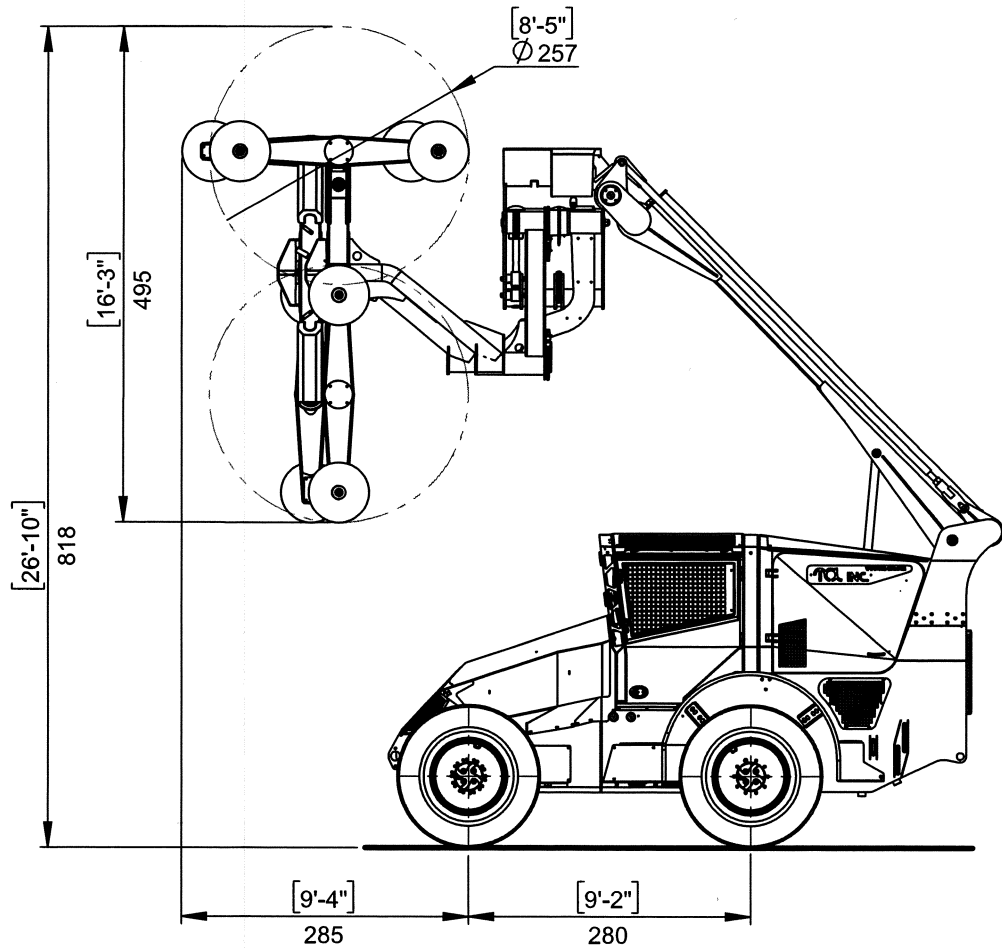
All proprietary rights reserved by TOL Incorporated. This drawing shall not be reproduced or in any way utilized, for the manufacture of the component or unit here in illustrated and must not be replaced to other parties without written consent by TOL Incorporated. Any infringement will be legally pursued.

Machine model:		HD 1800RM - T4	
Dimension drawing	Version:	11.2018.00	
As our policy is one of continuous improvement we reserve the right to change specification without notice and without incurring obligation.	Scale:	1:55	
	Date:	Nov. 2018	
	Sheet:	2 of 9	
Machine dimension may vary according to special option, tractor size (kit models), or special feature.	All dimensions are rounded		
Remarks: All dimensions are in dual properties: feet-inches & centimeters	TOL INCORPORATED		



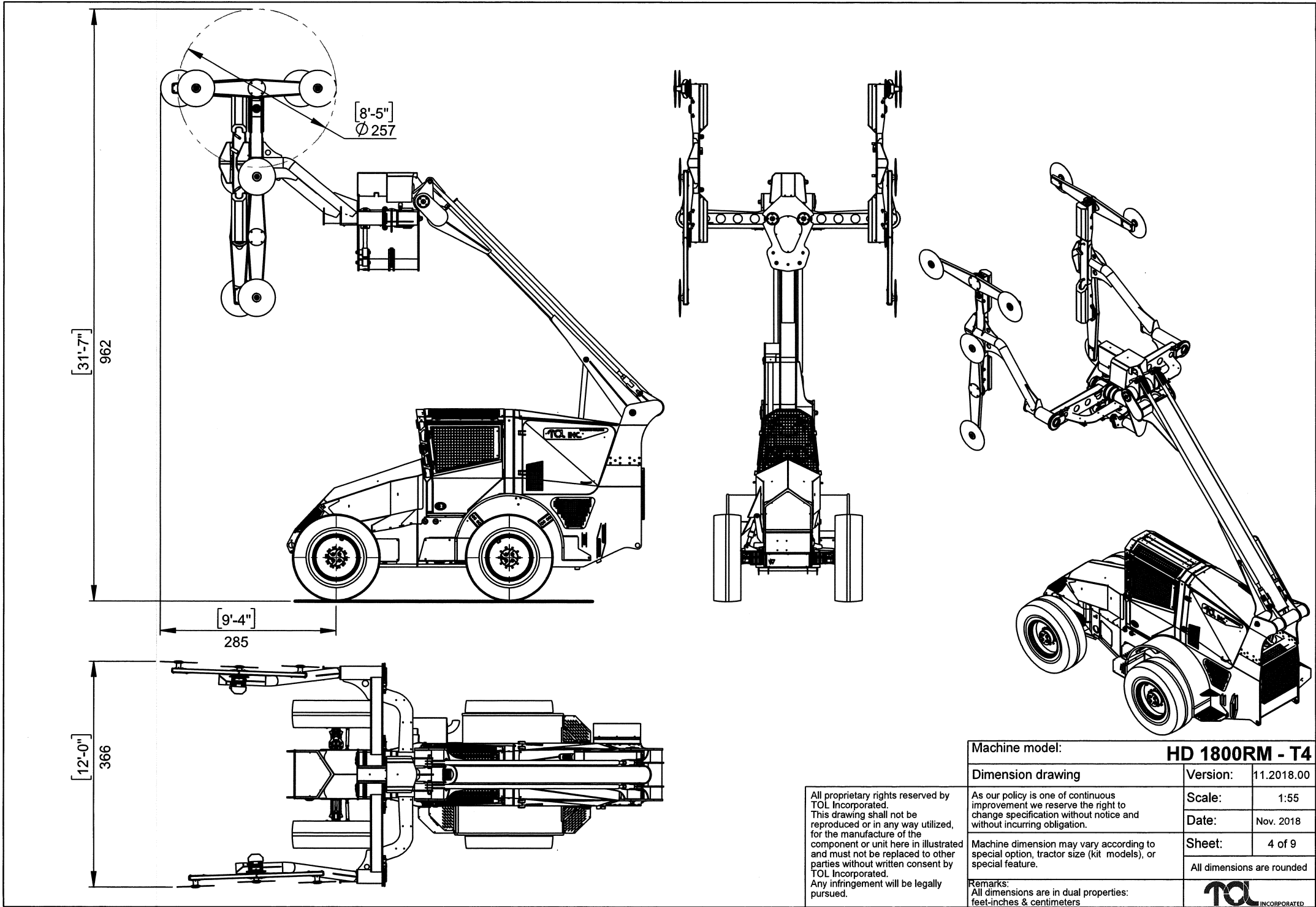
All proprietary rights reserved by TOL Incorporated. This drawing shall not be reproduced or in any way utilized, for the manufacture of the component or unit here in illustrated and must not be replaced to other parties without written consent by TOL Incorporated. Any infringement will be legally pursued.

Machine model:		HD 1800RM - T4	
Dimension drawing	Version:	11.2018.00	
	Scale:	1:55	
	Date:	Nov. 2018	
	Sheet:	2 of 9	
Remarks:		All dimensions are rounded	
All dimensions are in dual properties: feet-inches & centimeters			



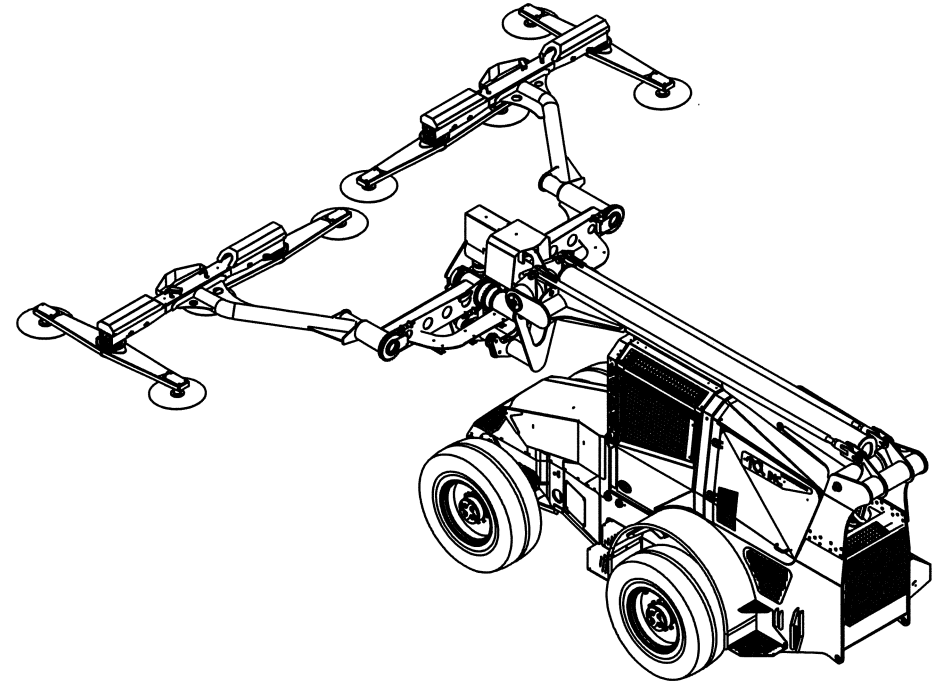
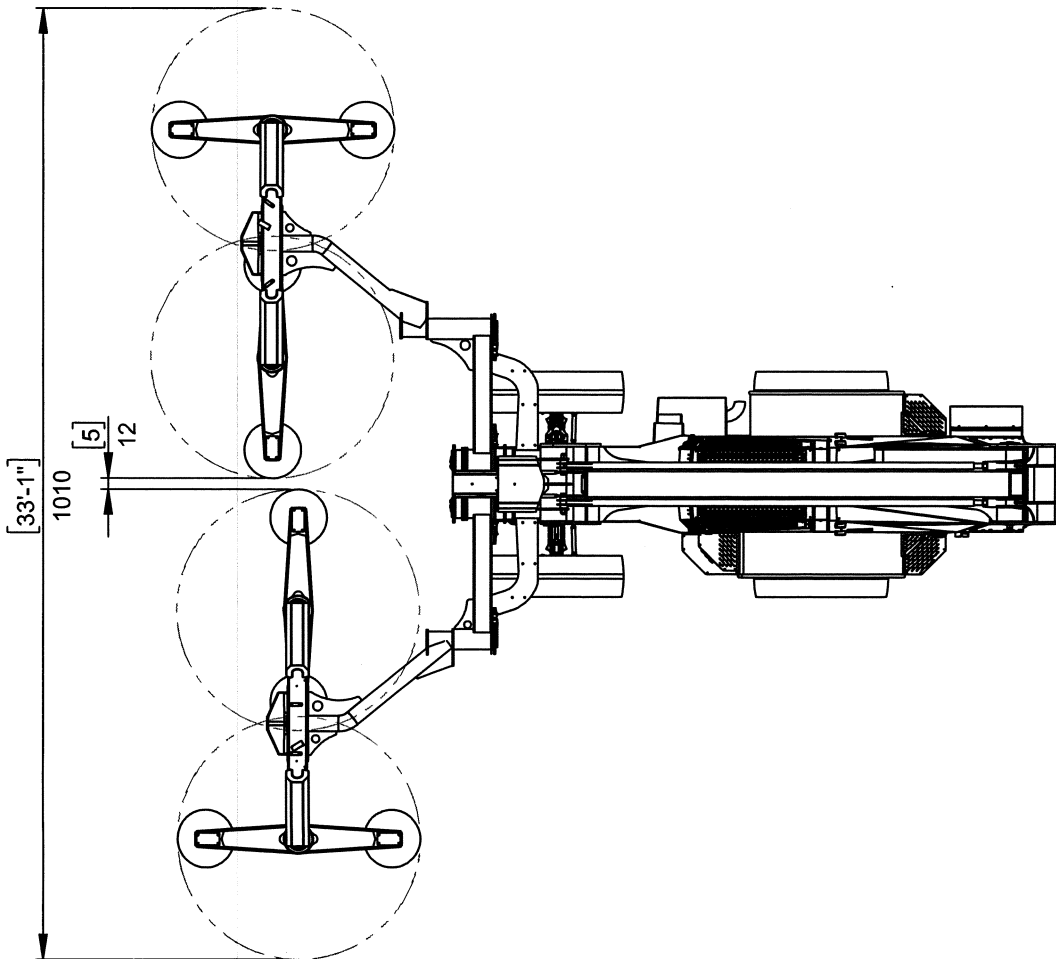
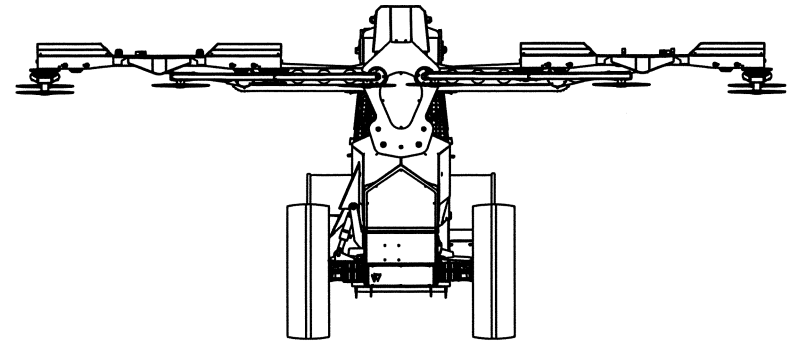
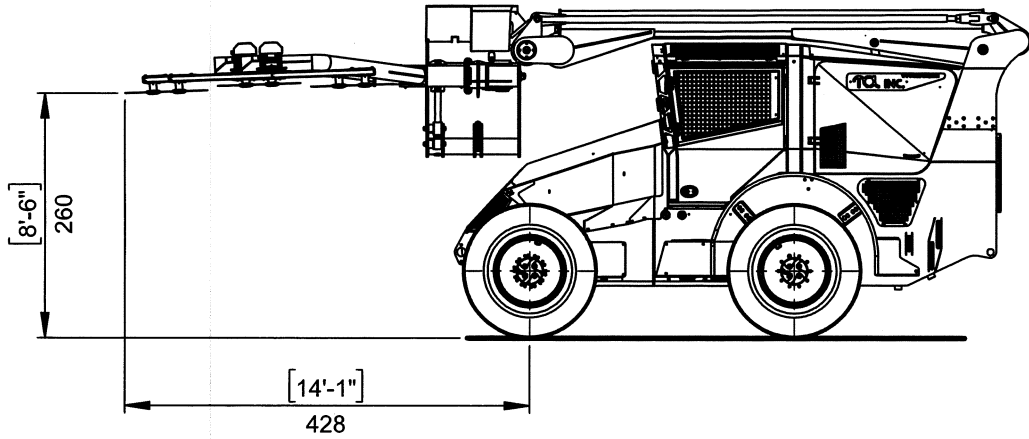
All proprietary rights reserved by TOL Incorporated. This drawing shall not be reproduced or in any way utilized, for the manufacture of the component or unit here in illustrated and must not be replaced to other parties without written consent by TOL Incorporated. Any infringement will be legally pursued.

Machine model:		HD 1800RM -T4	
Dimension drawing	Version:	11.2018.00	
As our policy is one of continuous improvement we reserve the right to change specification without notice and without incurring obligation.	Scale:	1:75	
	Date:	Nov. 2018	
Machine dimension may vary according to special option, tractor size (kit models), or special feature.	Sheet:	3 of 9	
	All dimensions are rounded		
Remarks: All dimensions are in dual properties: feet-inches & centimeters		TOL INCORPORATED	



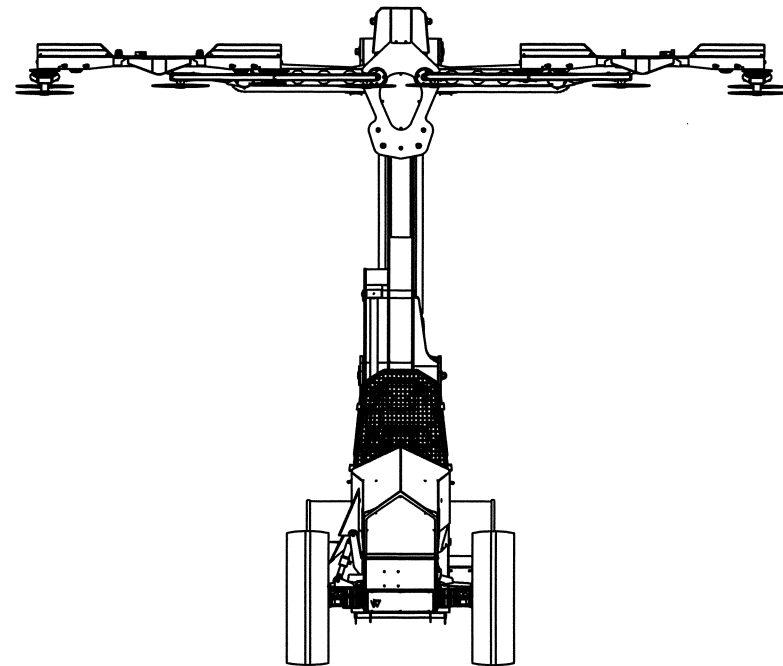
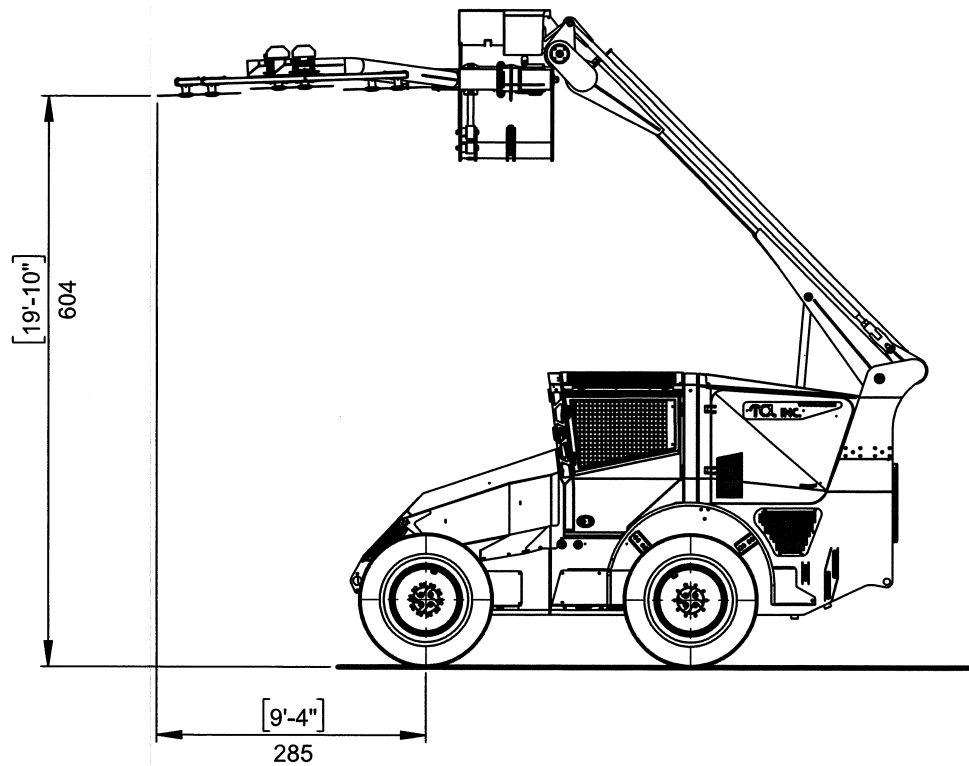
All proprietary rights reserved by TOL Incorporated. This drawing shall not be reproduced or in any way utilized, for the manufacture of the component or unit here in illustrated and must not be replaced to other parties without written consent by TOL Incorporated. Any infringement will be legally pursued.

Machine model:	HD 1800RM - T4	
Dimension drawing	Version:	11.2018.00
	Scale:	1:55
	Date:	Nov. 2018
Machine dimension may vary according to special option, tractor size (kit models), or special feature.	Sheet:	4 of 9
Remarks: All dimensions are in dual properties: feet-inches & centimeters	All dimensions are rounded	
	TOL INCORPORATED	



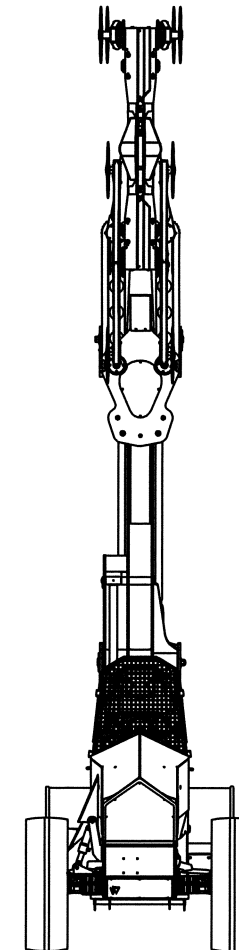
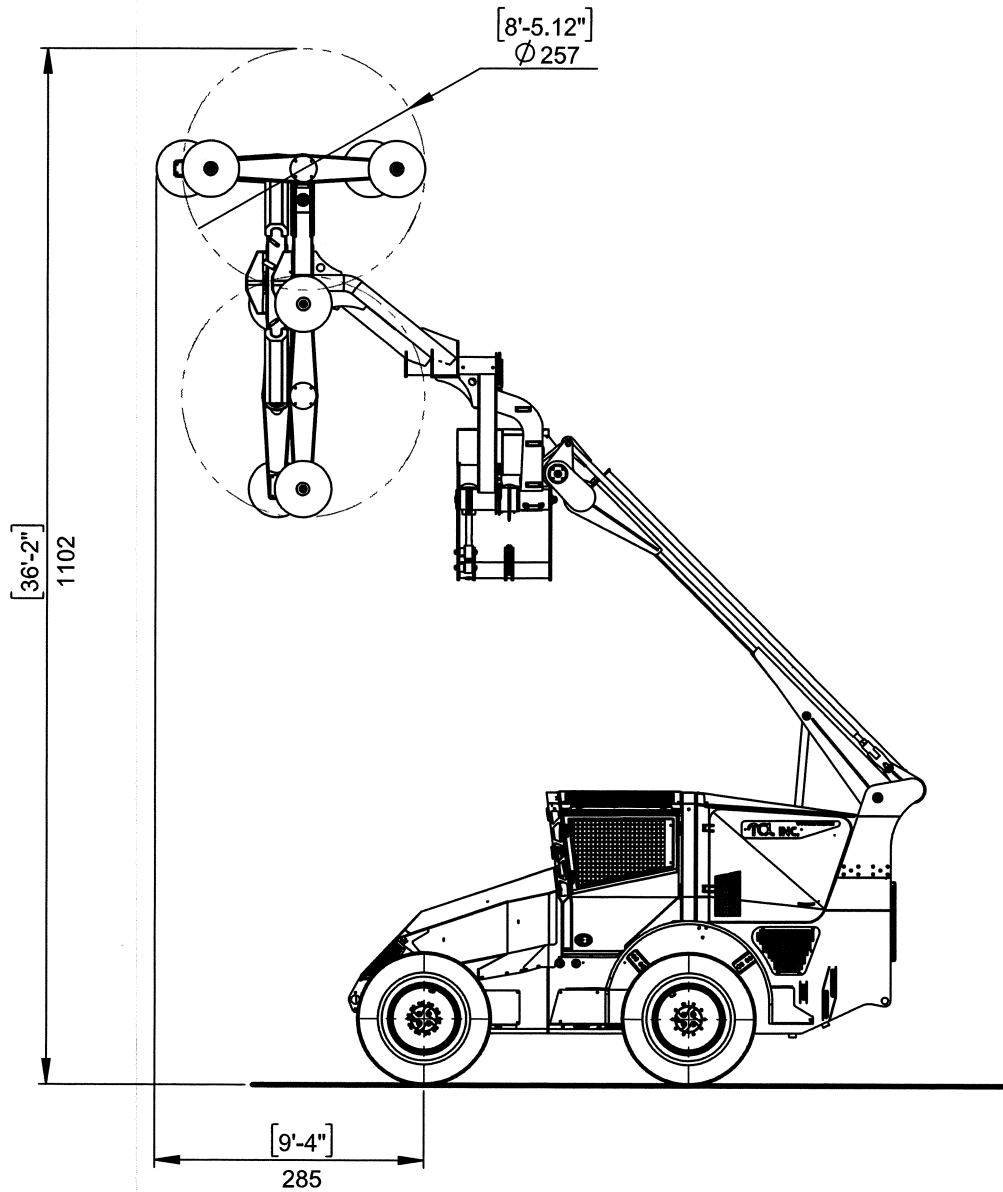
All proprietary rights reserved by TOL Incorporated. This drawing shall not be reproduced or in any way utilized, for the manufacture of the component or unit here in illustrated and must not be replaced to other parties without written consent by TOL Incorporated. Any infringement will be legally pursued.

Machine model:	HD 1800RM-T4	
Dimension drawing	Version:	11.2018.00
	Scale:	1:80
	Date:	Nov. 2018
	Sheet:	5 of 9
	All dimensions are rounded	
Remarks: All dimensions are in dual properties: feet-inches & centimeters	TOL INCORPORATED	



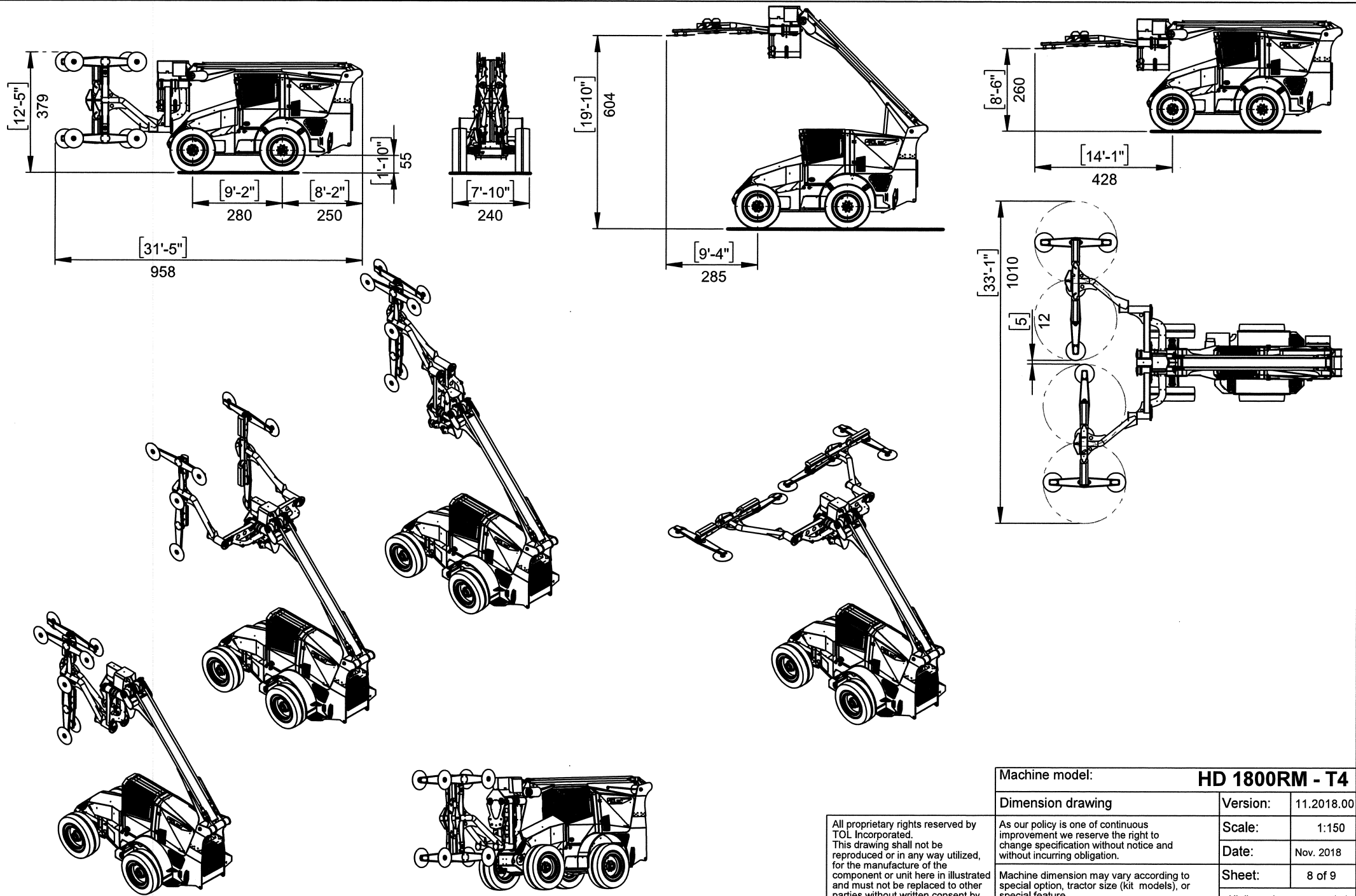
All proprietary rights reserved by TOL Incorporated. This drawing shall not be reproduced or in any way utilized, for the manufacture of the component or unit here in illustrated and must not be replaced to other parties without written consent by TOL Incorporated. Any infringement will be legally pursued.

Machine model:	HD 1800RM - T4	
Dimension drawing	Version:	11.2018.00
	Scale:	1:80
	Date:	Nov. 2018
Machine dimension may vary according to special option, tractor size (kit models), or special feature.	Sheet:	6 of 9
Remarks: All dimensions are in dual properties: feet-inches & centimeters	All dimensions are rounded	
	TOL INCORPORATED	



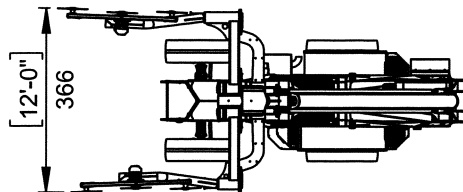
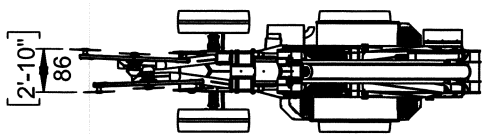
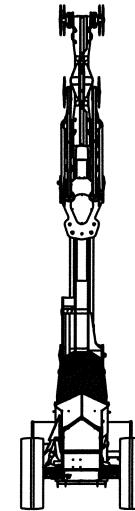
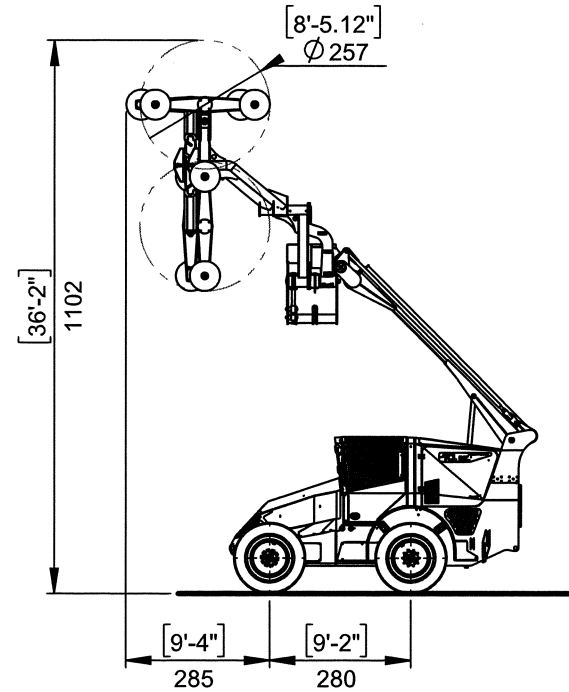
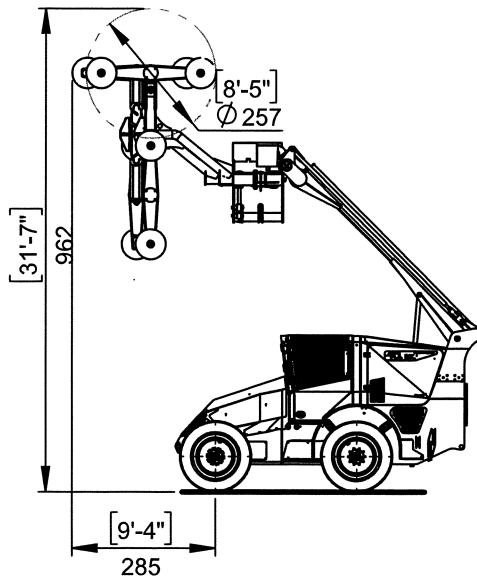
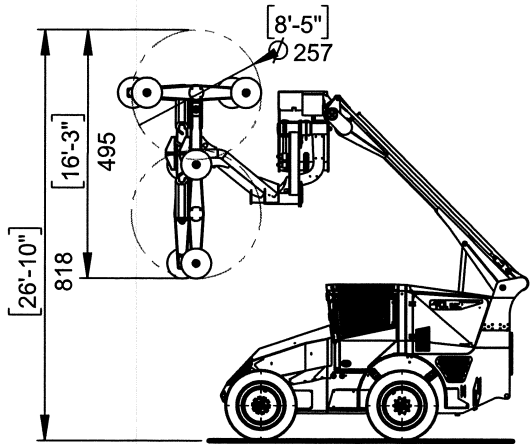
All proprietary rights reserved by TOL Incorporated. This drawing shall not be reproduced or in any way utilized, for the manufacture of the component or unit here in illustrated and must not be replaced to other parties without written consent by TOL Incorporated. Any infringement will be legally pursued.

Machine model: HD 1800RM -T4	
Dimension drawing	Version:
<p>As our policy is one of continuous improvement we reserve the right to change specification without notice and without incurring obligation.</p> <p>Machine dimension may vary according to special option, tractor size (kit models), or special feature.</p> <p>Remarks: All dimensions are in dual properties: feet-inches & centimeters</p>	Scale: 1:80
	Date: Month/Year
	Sheet: 7 of 9
All dimensions are rounded	



All proprietary rights reserved by TOL Incorporated. This drawing shall not be reproduced or in any way utilized, for the manufacture of the component or unit here in illustrated and must not be replaced to other parties without written consent by TOL Incorporated. Any infringement will be legally pursued.

Machine model:		HD 1800RM - T4	
Dimension drawing	Version:	11.2018.00	
	Scale:	1:150	
	Date:	Nov. 2018	
	Sheet:	8 of 9	
All dimensions are rounded			
Remarks: All dimensions are in dual properties: feet-inches & centimeters		TOL INCORPORATED	



All proprietary rights reserved by TOL Incorporated. This drawing shall not be reproduced or in any way utilized, for the manufacture of the component or unit here in illustrated and must not be replaced to other parties without written consent by TOL Incorporated. Any infringement will be legally pursued.

Machine model:		HD 1800RM -T4	
Dimension drawing	Version:	11.2018.00	
As our policy is one of continuous improvement we reserve the right to change specification without notice and without incurring obligation.	Scale:	1:150	
	Date:	Nov. 2018	
	Sheet:	9 of 9	
Machine dimension may vary according to special option, tractor size (kit models), or special feature.		All dimensions are rounded	
Remarks: All dimensions are in dual properties: feet-inches & centimeters		TOL INCORPORATED	